

CANTABRICO System

S o l a r b o m b i n g



The Cantabrian Sea is the coastal sea of the Atlantic Ocean that washes the northern coast of Spain and the southwest side of the Atlantic coast of France; it represents the south area of the Bay of Biscay. It extends from the cape Estaca de Bares in the province of Corunna, to the mouth of the Adour river, near the city of Bayonne on the coast of the department of Pyrenees Atlantiques in French Basque Country. It washes 800 kilometers of coastline shared by the provinces of Corunna, Lugo, Asturias, Cantabria, Biscay and Gipuzkoa, and Labourd. Being a transition sea between the cold northern seas and the tropics, the fauna living in this sea is all cold water animals. The distance that the wind travels and the maintenance of its direction result in 2 to 3 meters waves, rising up to 7 meters in some periods of the year. The result is a very rough sea.



Contact

 **EUROPA - Offices & Factory**

pol. industrial Tabaza I zone A
Nave 6a, Carreño - Asturias(Spain)
Phone: +34 984 112 759
alusinsolar@alusinsolar.com

 **alusinsolar.com**

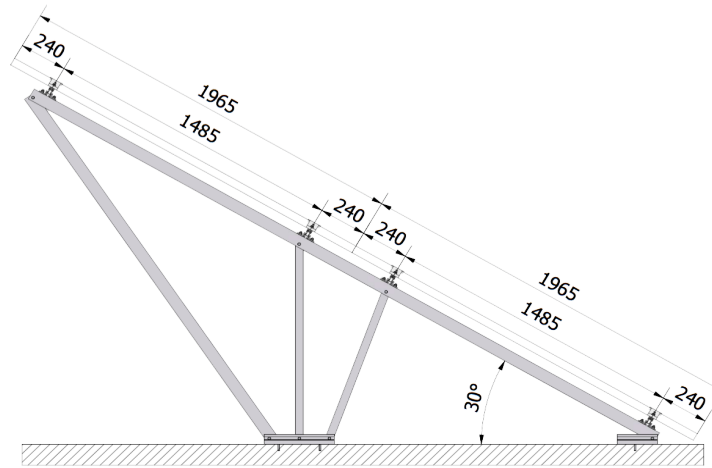
Guarantees

- ✓ Designs based on local climatic loads
- ✓ Panels universal fixing
- ✓ High versatility and suitability
- ✓ Special clamps: Thin & Frameless
- ✓ Quick delivery
- ✓ Comfortable installation
- ✓ Materials 25 years guarantee
- ✓ Works 2 years guarantee

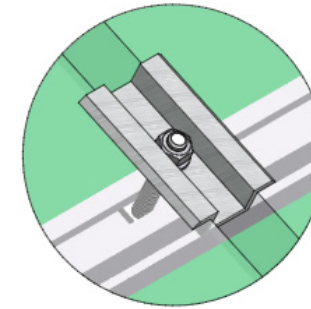
Technical features



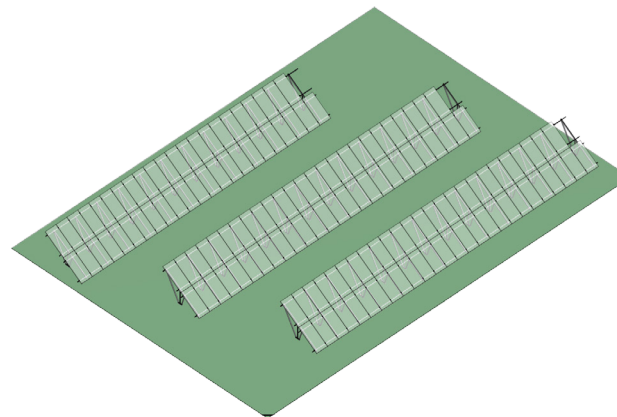
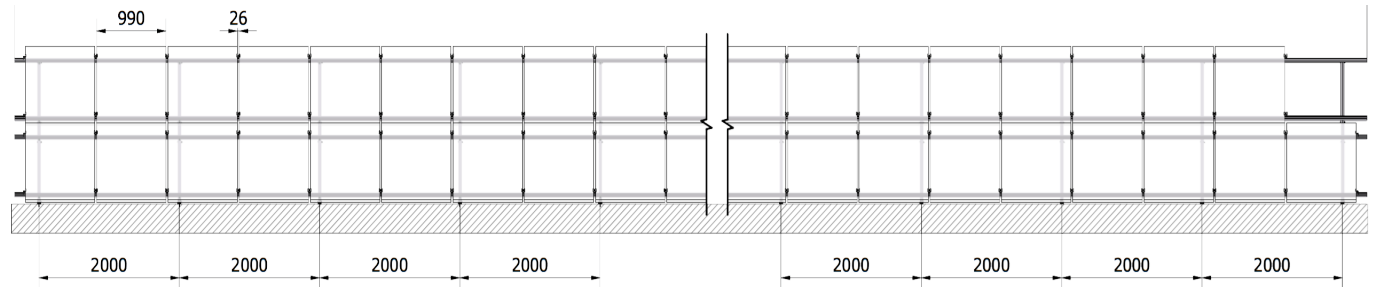
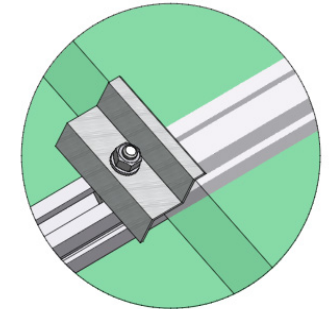
- Profiles, clamps and accessories made in first fusion extruded aluminum
- Stainless steel A2/A4 hardware qualities, depending on the climate, with surface treatments option
- Loads direct transmission to the main structure.
- Porticos/triangles are supplied fully finished. Ready to install
- Antitheft screw option, hardware grooves system
- Several configurations available
- 100% reusable materials



Middle Clamp



Final Clamp



Loads

Wind

Up to 240 kmh (150mph).

Calculations made based on climatic charges depending on the project's location

Snow

Up to 2 kN/m²

Special requirements



Solution for small outdoors solar installations

Seismic and hurricane-force calculations

Opportunities study